

NDA S-SIGHT

Provision-ISR S-SIGHT series provides you with all you need for a simple installation. S-Sight cameras guarantee superior image quality, improved night performance and make an outstanding value-for-money solution.



DI-380IPSN-MVF-V3

40M IR 8MP MOTORIZED VARI-FOCAL LENS DOME/TURRET CAMERA WITH BUILT-IN CHECK POINT PROTECTION

Equipped with a 2.8-12mm motorized lens, this 8MP Dome/Turret camera is designed for medium-distance surveillance (up to 40m) in indoor and outdoor scenarios. With its excellent performance, reliability, and affordable price, the DI-380IPSN-MVF-V3 camera is the perfect solution for any basic installation. In addition, Check Point protection ensures that your devices are cyber-protected round the clock.



MAIN FEATURES

- 8MP
- 3840x2160 Resolution
- 2.8-12mm Motorized Vari-Focal (102°- 32.1°)
- 3D-DNR
- IP67
- Audio in + Built-in microphone

ANALYTICS

- General Analytics: Camera Tampering
- Standard Analytics: Line Crossing, Sterile Area



SPECIFICATIONS

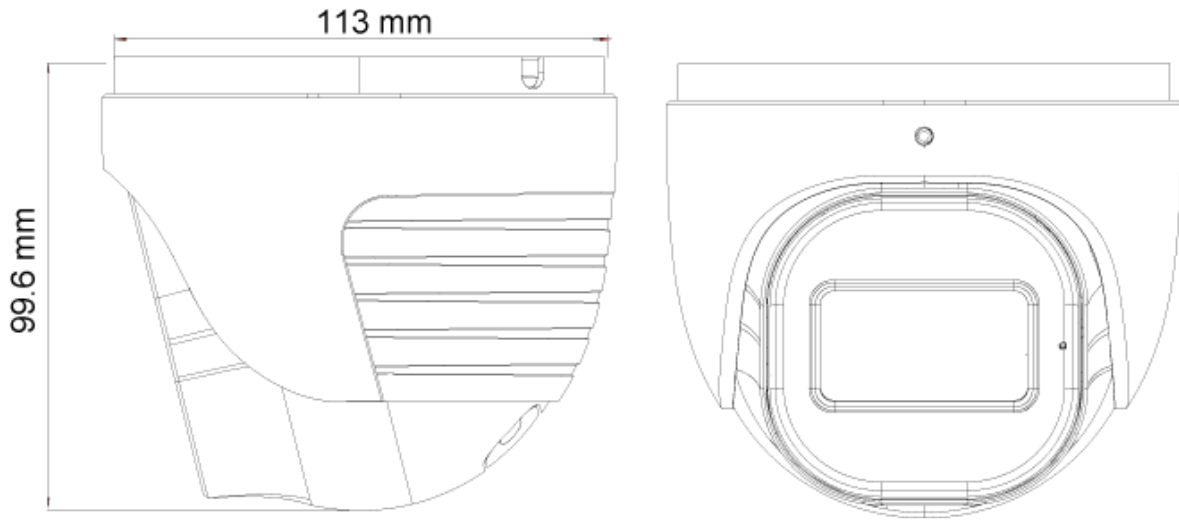
Image Sensor	1/2.8" CMOS (16:9)
Effective Pixels	3840x2160
Electronic Shutter	1s ~ 1/100000s
Frame Rate	8MP @ 1-20FPS, 6MP @ 1-25/30FPS, 5MP @ 1-25/30FPS, 4MP @ 1-25/30FPS, 2MP 1-25/30FPS
Day & Night	ICR
Min. Illumination	0.02 lux (@F1.6, AGC on) 0 lux with IR on
Audio compression	G.711A/G.711U
Communication	One-way Audio
Image Settings	AWB, AGC Adjustable, Exposure Mode (Auto) Sharpness, Saturation, Brightness & Contrast Adjustable
Image Enhancement	True WDR, BLC, HLC, ROI
Noise Reduction	3D-DNR
Image Orientation	Mirror/Flip
Privacy Zone	Yes
Motion Detection	Yes
Analytics	General Analytics: Camera Tampering Standard Analytics: Line Crossing, Sterile Area
Video Compression	H.265+/H.264+/H.265/H.264, MJPEG*
Resolution	8MP / 6MP / 5MP / 4MP / 2MP / 1MP / D1 / QVGA / CIF
Multi-Stream	Master Stream: 8MP(3840x2160) / 6MP(3072x2048) / 5MP(2592x1944) / 4MP(2560x1440) / 2MP(1920x1080) Substream: 1MP/D1/QVGA Third Stream: D1/CIF/QVGA (1~30fps)
Bit rate	64Kbps ~ 8Mbps@H.265 / 64Kbps ~ 8Mbps@H.264
Encode Mode	VBR/CBR
Image Quality	Five levels under VBR; Free adjustment under CBR
IR Distance	40m (3 High-Power IR LED)
Lens (Field of View)	2.8-12mm MVF with Auto Focus (102° - 32.1°)

*Substream only

SPECIFICATIONS

Iris	Fixed Iris (@F1.6)
Lens Mount	Ø14 Mount
Protection Rate	Water Proof: IP67
Bracket	3-Axis Bracket
Dimensions	Ø113mm×99.6mm
Weight (gross)	~640g
Network	RJ45 (+PoE)
Power	DC Socket
Analog Video Output	No
Audio Connectivity	Built-in Microphone + Audio Input
SD Card	Event/Schedule based Main/Substream recording (Up to 256Gb)
Hard Reset Button	Yes
Alarm	No
Remote Monitoring	IE Browsing, VMS Software, Provision Cam2 Mobile App
User Access	Supports simultaneous monitoring of up to 10 users with multi-stream real-time transmission
Network Protocol	IPv4, IPv6, TCP, UDP, DHCP, NTP, DDNS, 802.1X, RTSP, Multicast, UPnP, Email, FTP, HTTPS, QoS
ONVIF	Yes
Ethernet	100Mbps
PoE	Yes
Power Supply	DC12V/~900mA / PoE/~10W
Work Environment	-30°C~60°C, 10%~90% Humidity
Junction Box	PR-JB14IP66 - PR-JB14IP64 - PR-WB-A

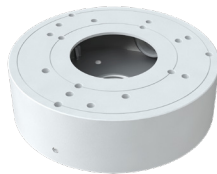
DIMENSIONS



ACCESSORIES



PR-JB14IP66



PR-JB14IP64



PR-WB-A